

Worksheet

Group : _____

Name : 1. _____

3. _____

2. _____

4. _____

Answer the questions below:

A Mirror



The mirror has area $96y^2 \text{ cm}^2$. The ratio of the length and width of the mirror is 3 : 2.

Problem 1

Find the length and width in y !

Answer:

Problem 2

Find the perimeter in y !

Answer:

Problem 3

When $y = 2$, find the perimeter and the area of the mirror !

Answer:

Population

Problem 4

Kalijaga is Shahibul hometown and Lenek is Shahibul's friend hometown. Kalijaga has a population of 6.800, which is decreasing at a rate of 120 people per year. Lenek has a population of 4.200, which is increasing at a rate of 80 people per year. In how many years will the populations of the two towns be equal?

Answer:

Relay Race



The 1,6 km relay team consists of four runners: Ilham, Fajar, Lutfi, and Eka. Each runner runs his quarter lap 2 sec faster than the previous runner. The team finished the race in exactly 3 minutes 40 sec.

Problem 5

How many times did each runner run his lap?

Source: <http://dibalikhariesok.files.wordpress.com/2011/04/atletik060810-5.jpg>

Answer:

Problem 6

Who is the fastest among the runners? Why?

Answer:

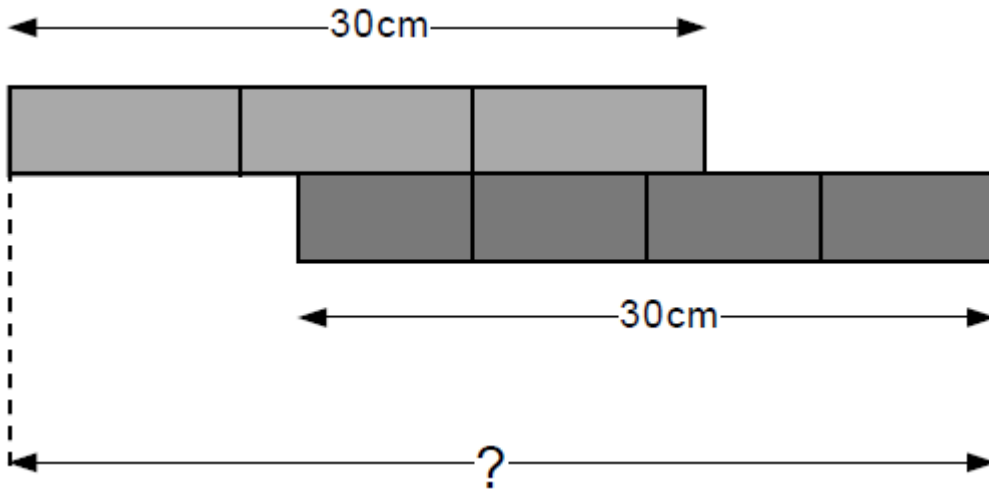
Money**Problem 7**

Farida, Dewi and Christy want to buy hard-disc, but they are not enough money. They are agree to borrow money to Novit. Novit loaned three friends a total of Rp 540.000,-. She loaned Dewi Rp 100.000,- more than she loaned Farida and loaned Christy twice as much as she loaned Dewi. How much money did Novit loan to each friend?

Answer:

Side by Side

Here are two 30 cm strips of card. One is divided into thirds and the other is divided into quarters.



Problem 8

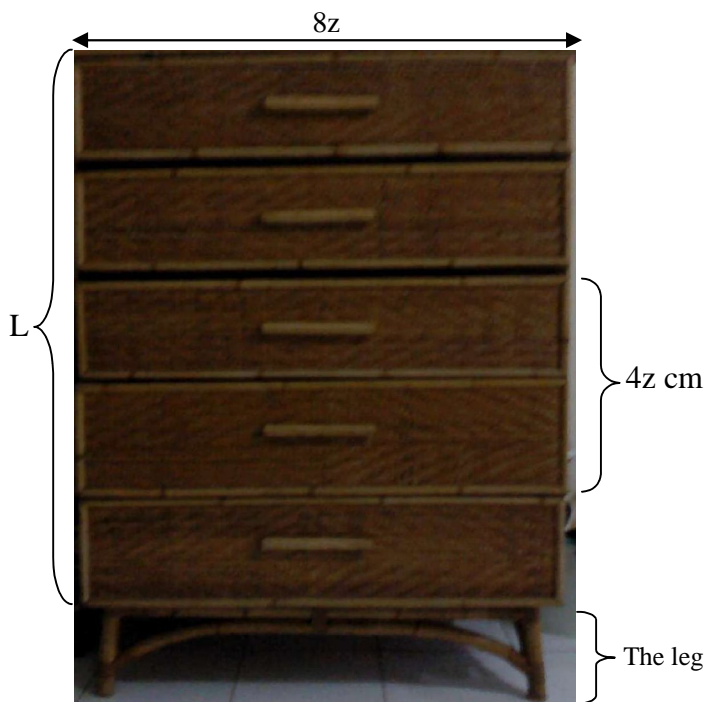
What is the total length of this arrangement?

Homework

Name : _____

Class : _____

A Rattan Rack



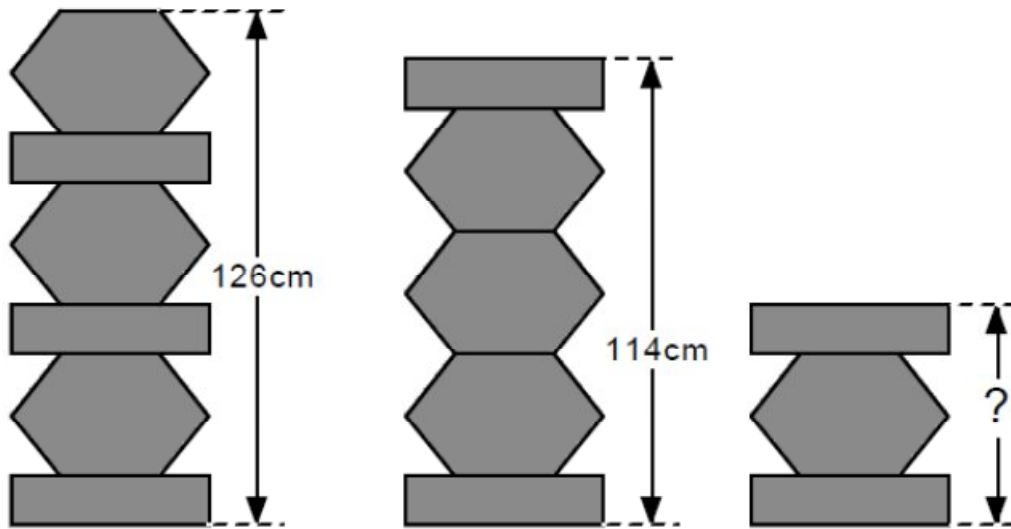
Problem 1

When $z = 6$, calculate the perimeter and the area of the rattan rack !

Answer:

Towerism

These towers are made of identical hexagons and identical rectangles.



Problem 2

Calculate the height of the smallest tower !

Answer: